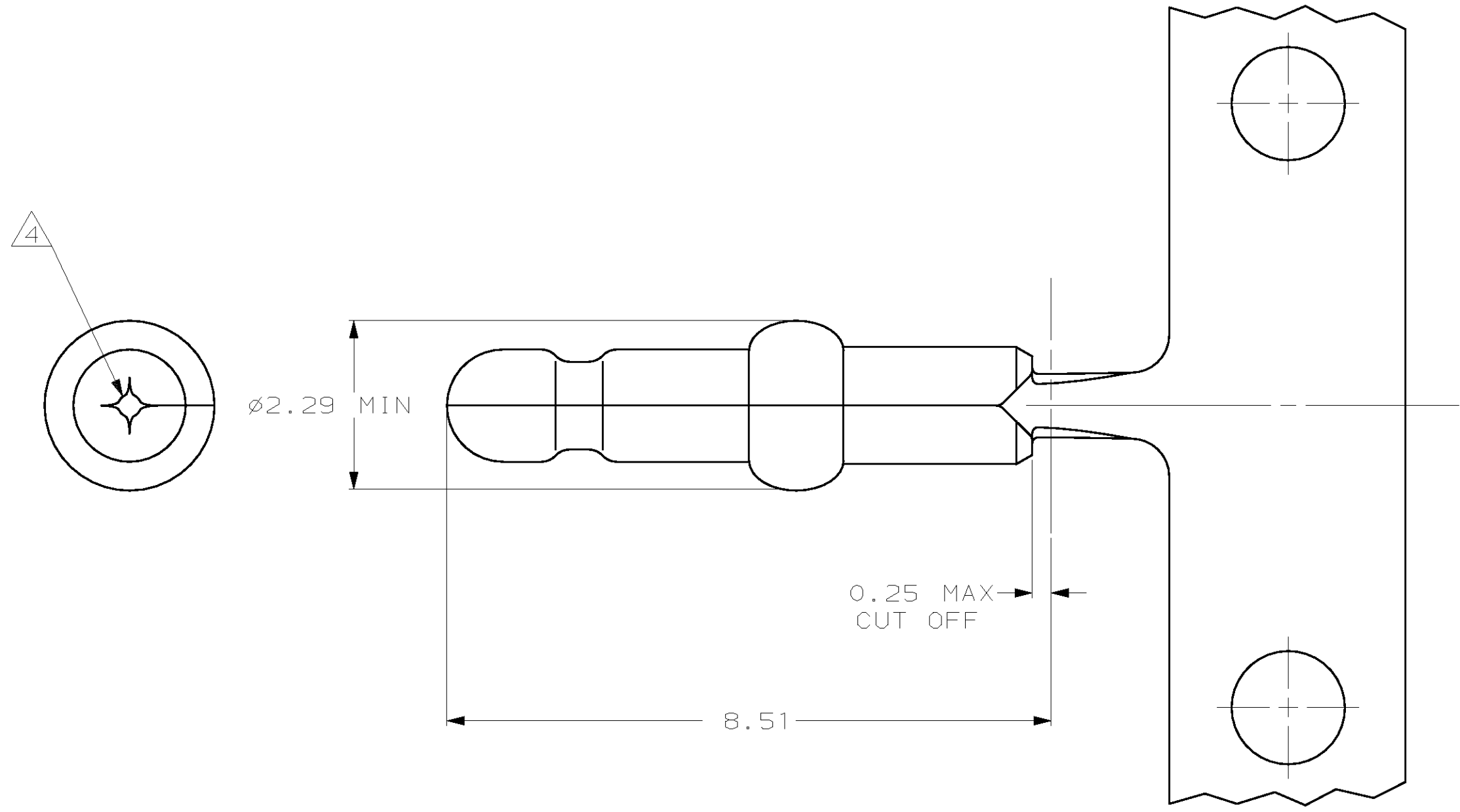
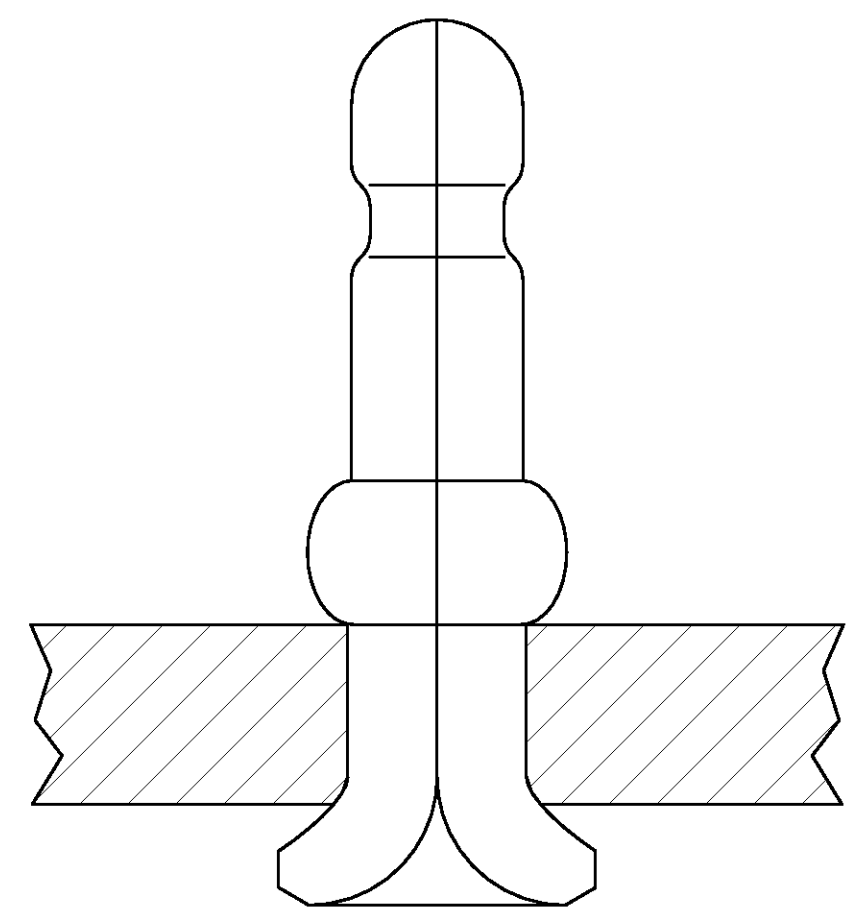
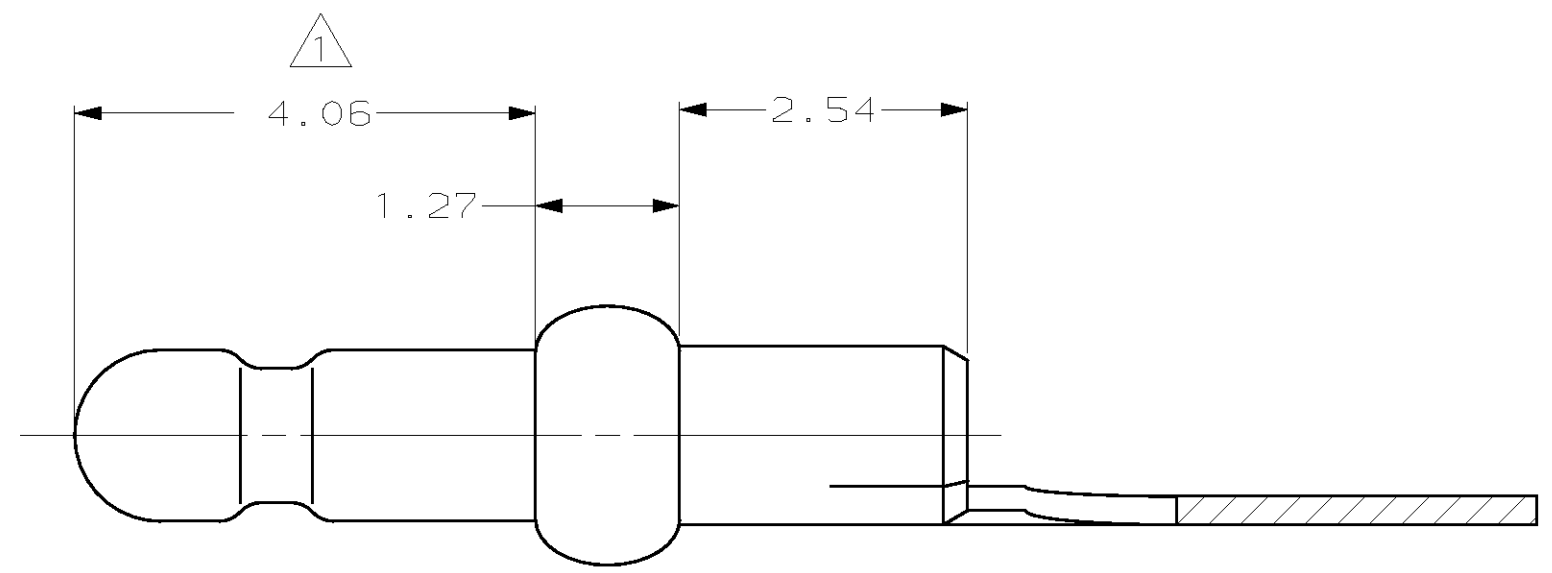


THIS DRAWING IS UNPUBLISHED. RELEASED FOR PUBLICATION
 (C) COPYRIGHT 19 BY AMP INCORPORATED. ALL RIGHTS RESERVED.

LOC		DIST		REVISIONS			
P	LTR	DESCRIPTION	DATE	DWN	APVD		
CM	52	5	REV & REDWN PER EC 0L30-0176-97	8-14-97	TB	RS	



- 1. 0.00076 MIN GOLD PLATING IN THIS AREA WITH 0.00381 MIN MATTE TIN LEAD ON THE REMAINDER, BOTH OVER 0.00127 MIN NICKEL UNDERPLATE.
- 2. FITS 1.70 - 1.85 DIAMETER HOLE IN A 1.57 PRINTED CIRCUIT BOARD.
- 3. PARTS TO COMPLY WITH AMP SOLDERABILITY SPECIFICATION 109-11-3.
- 4. 0.05 - 0.25 DIAMETER OPENING REQUIRED IN TIP OF PIN.
- 5. APPLICATOR FEED: 8.00 - 8.26



△	60824-2
PRE TIN	60824-1
FINISH	PART NUMBER

MM	IN	MM	IN	MM	IN	MM	IN
0.13	.005	1.70	.067	8.00	.315	-	-
0.05	.002	1.57	.062	4.06	.160	-	-
0.00381	.000150	1.47	.058	2.54	.100	-	-
0.00127	.000050	1.27	.050	2.29	.090	8.51	.335
0.00076	.000030	0.25	.010	1.85	.073	8.26	.325

CONVERSION TABLE

METRIC

THIS DRAWING IS A CONTROLLED DOCUMENT.		DWN	T. BECK	8-14-97
DIMENSIONS: mm		CHK	R. SWING	8-14-97
TOLERANCES UNLESS OTHERWISE SPECIFIED:		APVD	A. BEDDICK	9-10-97
0 PLC ±-		NAME		
1 PLC ±-		PIN, .058 DIAMETER, PHOSPHER BRONZE, CLINCH FIT, P.C. CONTACT		
2 PLC ±0.13		PRODUCT SPEC		
3 PLC ±-		108-1025		
4 PLC ±-		APPLICATION SPEC		
ANGLES ±-		114-1008		
MATERIAL		WEIGHT		
0.25 PH BRZ		-		
FINISH		SCALE		
SEE TABLE		15:1		
CUSTOMER DRAWING		SHEET		
		1 OF 1		
		REV		
		5		

60824